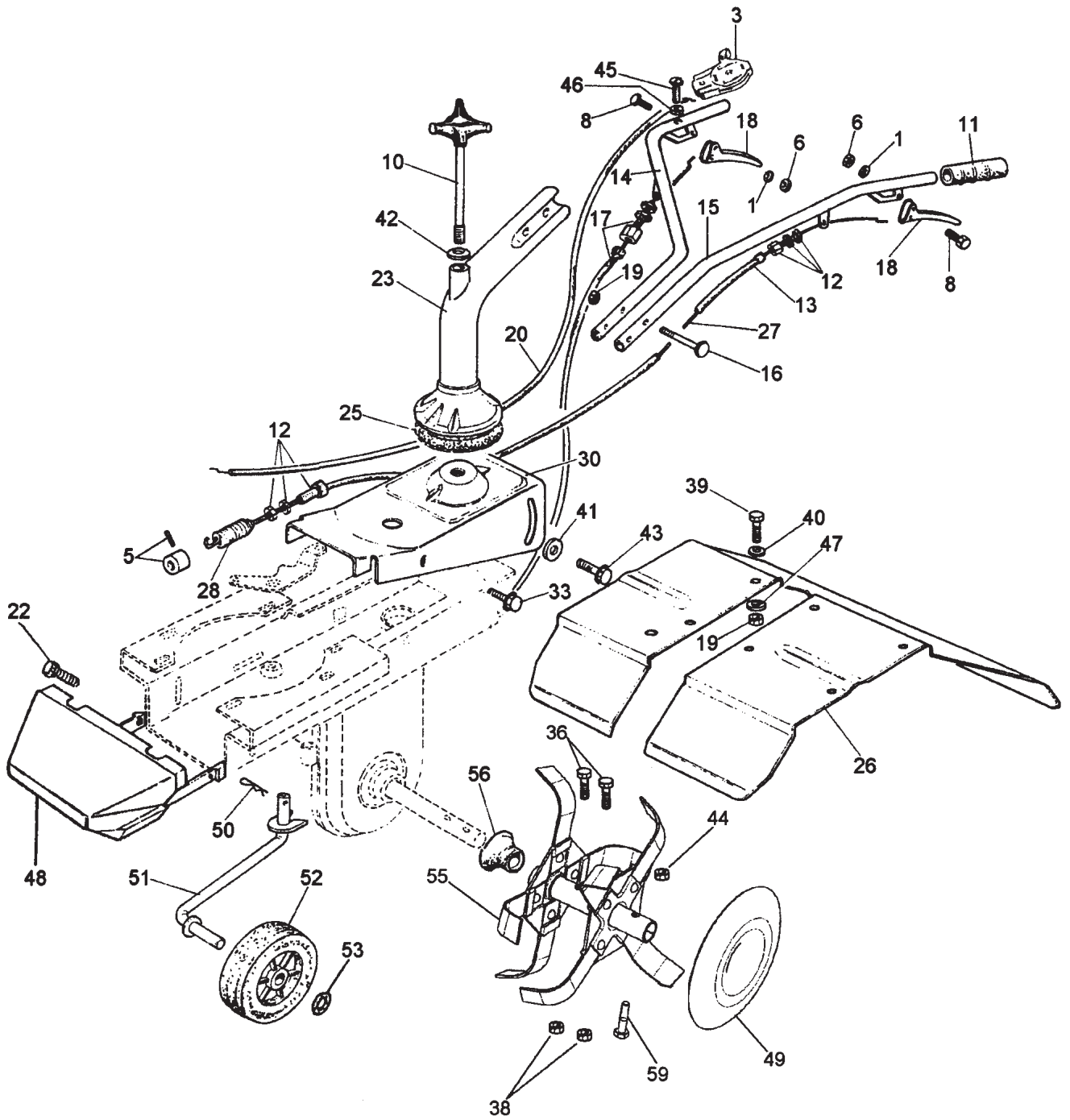
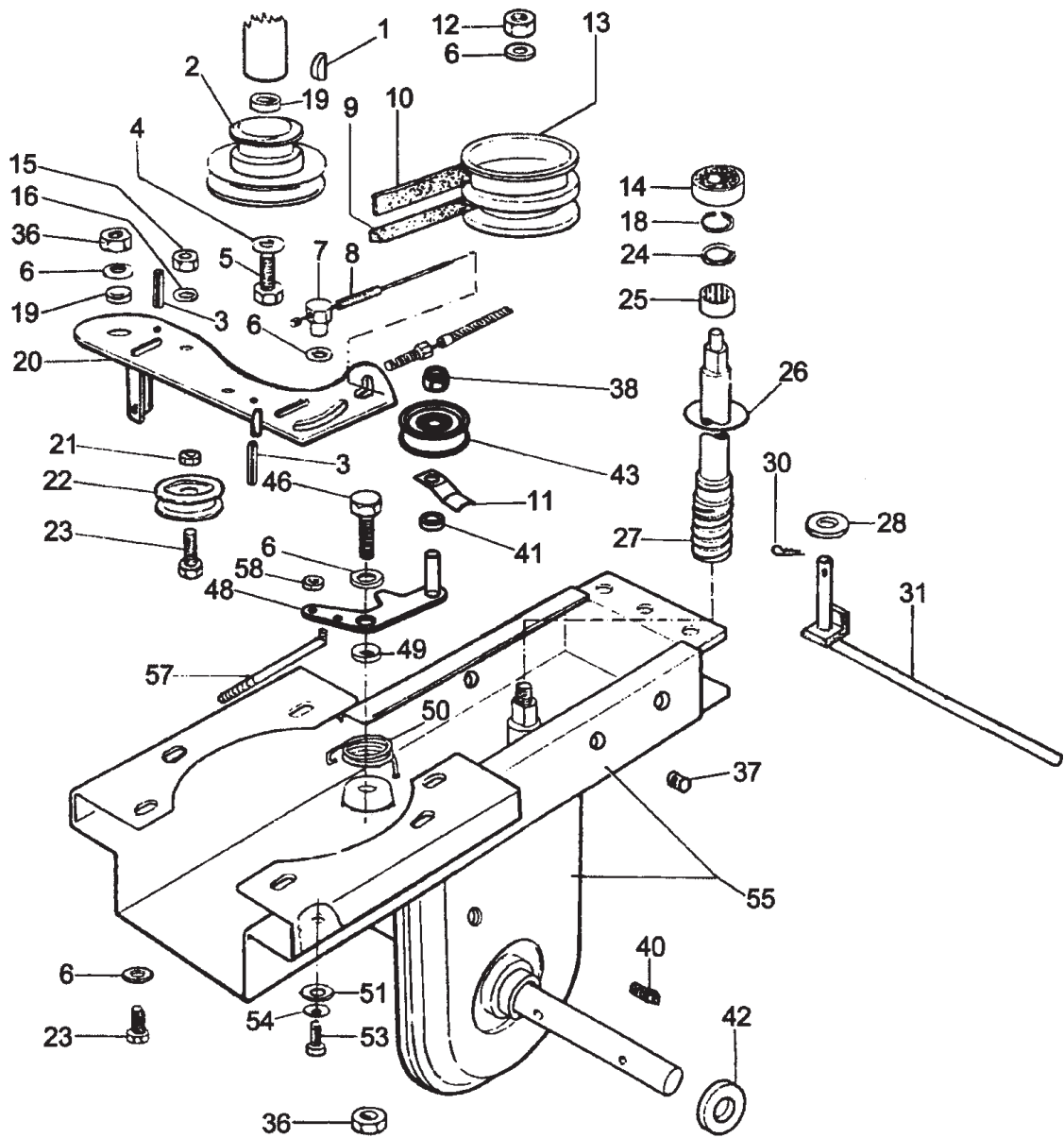


Genuine Spare Parts





Utgåva Issue 2008- 12		Bildnr Picture No 2422		SILEX 500- G SILEX 500R- G JORDFRÄS		SILEX 500- G SILEX 500R- G TILLER		Sida Page 222	
Pos. Fig.	Antal/Quantity			Art nr Part No	Benämning	Description	Sats Kit	Anmärkning Notes	
	3161 -11	3162 -11							
X	1	2	2	9699-0025-02	Planbricka.....	Washer.....			
X	3	1	1	1483-2143-01	Gasreglage.....	Throttle control			
X	5	1	1	1483-2198-01	Distans	Spacer.....			
	6	1	2	9747-0531-02	Mutter.....	Nut.....			
	8	1	2	1483-2005-01	Skruv.....	Screw.....			
X	10	1	1	1483-2099-01	Låsskruv.....	Locking screw w/knob			
	11	2	2	1483-2009-01	Grepp.....	Grip.....			
X	12		2	1483-2197-01	Justernippel.....	Adjusting nipple			
X	13	1		1483-2110-01	Reglagewire kpl.....	Control cable.....			
X	13		1	1483-2116-01	Regl.wire- yttre	Control cable- outer.....			
X	14	1		1483-2098-01	Styrrör- hö.....	Handlebar tube- RH.....			
X	14		1	1483-2102-01	Styrrör- hö.....	Handlebar tube- RH.....			
X	15	1	1	1483-2100-01	Styrrör- vä.....	Handlebar tube- LH.....			
	16	2	2	9897-0880-12	Skruv.....	Screw.....			
X	17		1	1483-2104-01	Reglagewire.....	Control cable.....			
	18	1	2	1483-2008-01	Kopplingshandtag.....	Clutch handle			
	19	6	6	9747-0831-02	Mutter.....	Lock nut.....			
X	20	1	1	1483-2142-01	Gaswire	Throttle cable			
	22	1	1	9847-8016-16	Skruv.....	Screw.....			
X	23	1	1	1483-2105-01	Styrfäste- gul	Handlebar attachm- yel			
X	23	1	1	1483-2105-02	Styrfäste- röd.....	Handlebar attachm- red.....			
X	25	1	1	1483-2078-01	Platta	Disc.....			
X	26	1	1	1483-2101-01	Skyddsplåt- gul.....	Protection shield- yel.....			
X	26	1	1	1483-2101-02	Skyddsplåt- röd	Protection shield- red			
X	27		1	1483-2103-01	Reglagewire- inre.....	Control cable- inner.....			
X	28		1	1483-2115-01	Fjäder.....	Spring			
X	30	1	1	1483-2086-01	Styrfästplåt- gul	Handlebar plate- yello.....			
X	30	1	1	1483-2086-02	Styrfästplåt- röd.....	Handlebar plate- red			
	33	2	2	9959-0816-16	Skruv.....	Screw.....			
	36	4	4	9997-1050-16	Skruv.....	Screw.....			
	38	4	4	9747-1031-02	Låsmutter	Lock nut.....			
	39	4	4	9997-0820-16	Skruv.....	Screw.....			
	40	4	4	9699-0028-02	Planbricka.....	Flat washer.....			
	41	2	2	9699-0056-02	Planbricka.....	Flat washer.....			
	42	1	1	9699-0121-02	Planbricka.....	Flat washer.....			
	43	2	2	9959-0825-16	Skruv.....	Screw.....			
	44	2	2	9747-1031-02	Låsmutter	Lock nut.....			
	45	1	1	9948-0650-16	Skruv.....	Screw.....			
	46	1	1	9747-0631-02	Låsmutter	Lock nut.....			
	47	4	4	9699-0122-02	Bricka	Washer.....			
X	48	1	1	1483-2080-01	Frontplåt.....	Front plate.....			
	49	2	2	1483-2022-01	Sidotallrik	Side disc			
	50	1	1	9598-0002-02	Låsnål.....	Pin lock.....			
X	51	1	1	1483-2106-01	Stödhjulsfäste.....	Support wheel brkt.....			
X	52	1	1	1483-2111-01	Stödhjul.....	Support wheel.....			
X	53	1	1	1483-2195-01	Låsbricka	Lock washer.....			
	55	1	1	1483-2023-01	Rotor kpl- hö.....	Tine assy- RH.....			
	55	1	1	1483-2024-01	Rotor kpl- vä.....	Tine assy- LH			
	56	2	2	1483-2010-01	Dammskydd	Dust protection			
	59	2	2	9997-1050-16	Skruv.....	Screw.....			



Utgåva Issue		Bildnr Picture No		SILEX 500R- G JORDFRÄS		SILEX 500R- G TILLER		Sida Page	
2008- 12		2417						226	
Pos. Fig.	Antal/Quantity				Art nr Part No	Benämning	Description	Sats Kit	Anmärkning Notes
	3162 -11								
	1	1			12139100/0	Kil	Key		
	2	1			1483-2002-01	Remskiva	Belt pulley		
	3	2			9595-0235-00	Spännstift	Locating pin		
	4	1			9699-0035-02	Planbricka	Flat washer		
	5	1			9987-5225-16	Skruv	Screw		
	6	4			9699-0105-02	Bricka	Washer		
X	7	1			1483-2092-01	Ledbult	Pivot pin		
X	8	1			1483-2097-01	Fjäder	Spring		
X	9	1			1483-2113-01	Drivrem	Drive belt		
X	10	1			1483-2114-01	Drivrem	Drive belt		
X	11	1			1483-2144-01	Remstyrning	Belt guide		
	12	1			9799-1231-02	Mutter	Nut		
X	13	1			1483-2087-01	Remskiva	Belt pulley		
X	14	1			1483-2192-01	Kullager	Ball bearing		
	15	1			9799-1031-02	Mutter	Nut		
	16	1			9699-0035-02	Planbricka	Flat washer		
	18	1			1483-2068-01	Seegerring	Seeger ring		
X	19	2			1483-2088-01	Distans	Spacer		
X	20	1			1483-2094-01	Spännarm	Tension arm		
X	21	1			1483-2090-01	Mutter	Nut		
	22	1			1483-2003-01	Spännrulle	Idler roller		
	23	2			9997-1025-16	Skruv	Screw		
	24	1			1483-2000-01	Distans	Spacer		
	25	1			1483-2072-01	Nållager	Needle roller case		
X	26	1			1483-2188-01	O-ring	O-ring		
X	27	1			1483-2081-01	Snäckskruv	Endless screw		
	28	1			9699-0104-02	Bricka	Washer		
	30	1			9598-0002-02	Låsnål	Pin lock		
X	31	1			1483-2107-01	Bromssporre	Depth skid		
	36	2			9747-1031-02	Låsmutter	Lock nut		
X	37	1			1483-2108-01	Bussning	Bush		
	38	1			9747-1231-02	Låsmutter	Lock nut		
	40	1			1483-2075-01	Lock	Cap		
X	41	1			1483-2089-01	Distans	Spacer		
	42	2			1483-2070-01	Tätningring	Seal ring		
	43	1			1483-2004-01	Spännrulle	Idler pulley		
	46	1			9997-1020-16	Skruv	Screw		
X	48	1			1483-2091-01	Spännarm	Tension arm		
	49	1			1483-2001-01	Bussning	Bushing		
X	50	1			1483-2096-01	Fjäder	Spring		
	51	1			9699-0100-02	Bricka	Washer		
	53	1			9997-0612-16	Skruv	Screw		
	54	1			9683-0025-02	Låsbricka	Lock washer		
X	55	1			1483-2093-01	Transm.hus- gul	Transm.housing- yellow		
X	55	1			1483-2093-02	Transm.hus- röd	Transm.housing- red		
X	57	1			1483-2095-01	Stång	Rod		
	58	1			9747-0631-02	Låsmutter	Lock nut		